

allen co.

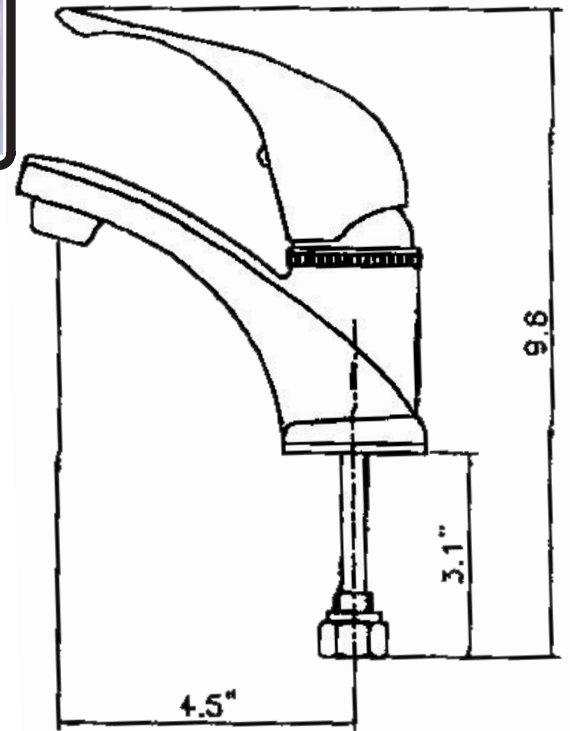
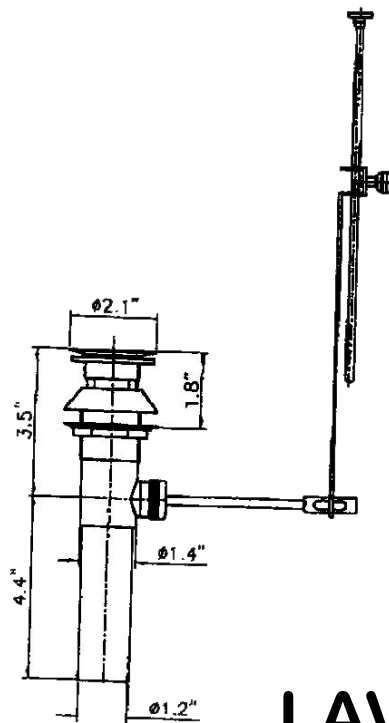
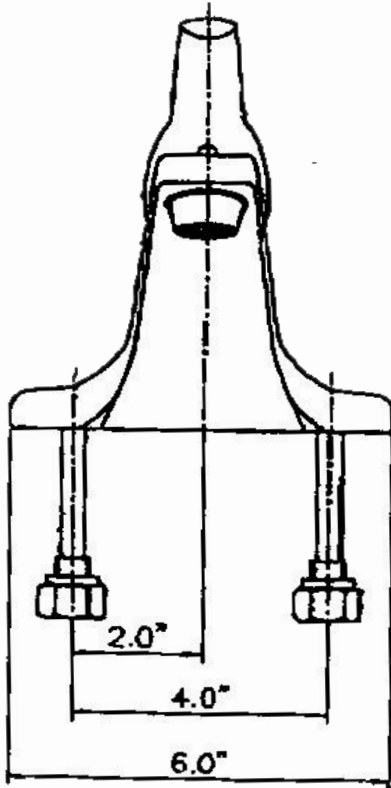
14077 Cedar Road, Cleveland, Ohio 44116

216-932-6100 • 800-433-9228 • Fax: 216-932-6067

Email: allencompany@sbcglobal.net

faucets

LS501M



LAVATORY FAUCETS

Single Handle Lavatory Faucet With
Metal Lever Handle **WITH Pop-Up Assembly.**

- Washerless
- Brass "Ball Type" Water Control Device
- Heavy duty chrome plating
- 2.0 GPM max aerator
- Meets ADA Requirements
- Meets ANSI/ASME A112.18.1M
- 4" centers
- Lever Handle
- Meets lead free NSF standard 61. section 9
- 2 and 3 hole Sink Applications

